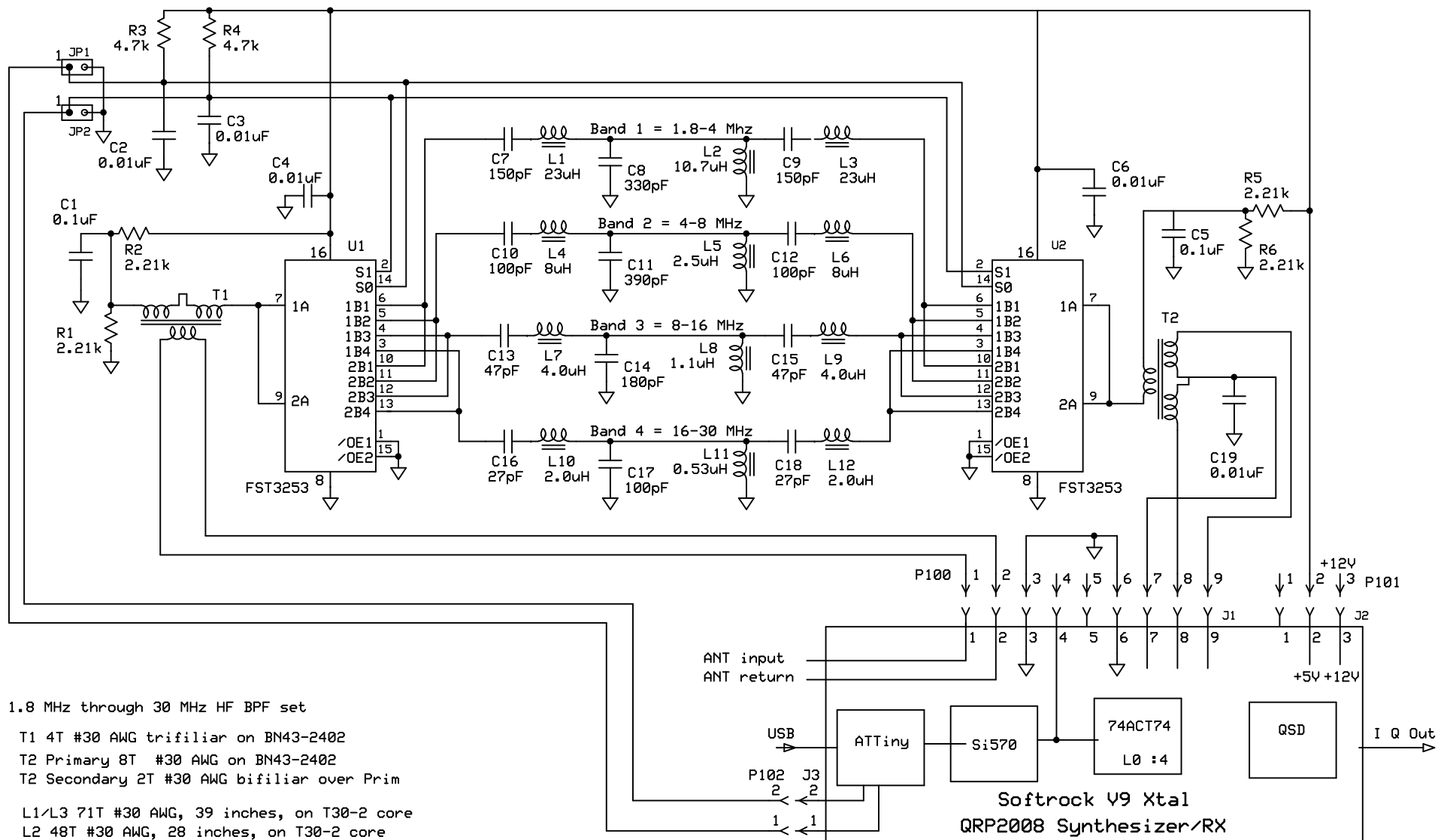


SOFTROCK V9 GENERAL COVERAGE PRESELECTORS 1.8 MHz - 30 MHz

Band 1 = 1.8 - 4 Mhz
 Band 2 = 4 - 8 MHz
 Band 3 = 8 - 16 MHz
 Band 4 = 16 - 30 MHz



1.8 MHz through 30 MHz HF BPF set

T1 4T #30 AWG trifilar on BN43-2402

T2 Primary 8T #30 AWG on BN43-2402

T2 Secondary 2T #30 AWG bifilar over Prim

L1/L3 71T #30 AWG, 39 inches, on T30-2 core

L2 48T #30 AWG, 28 inches, on T30-2 core

L4/L6 48T #30 AWG, 22 inches, on T25-2 core

L5 24T #30 AWG, 14 inches, on T25-2 core

L7/L9 36T #30 AWG, 18 inches, on T25-6 core

L8 19T #30 AWG, 11 inches, on T25-6 core

L10/L12 27T #30 AWG, 16 inches, on T25-6 core

L11 13T #30 AWG, 10 inches, on T25-6 core

QRP2000 DESIGN TEAM ©2008 QRP2000 Design

Softrock V9 HF BPF

Jan G0BBL
 Tony KB9YIG

V1.3
 1/01/2009

Page 1 of 1