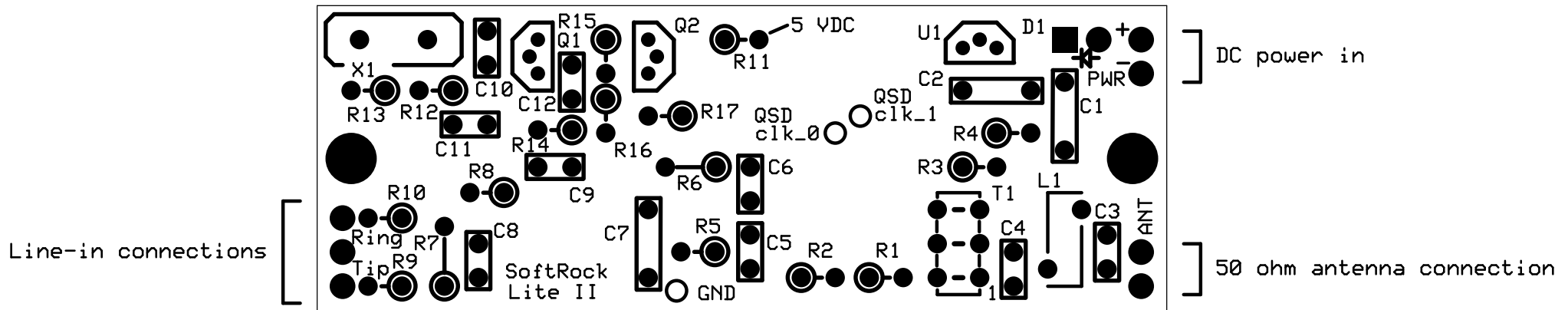


# SoftRock Lite II circuit board



Board size: 2.5 inches x 0.9 inches